



# Echo Angled TRV Thermostatic Radiator Valve



Connection Size	
Valve to Radiator	1/2" BSPT
Valve to Pipe	15 mm Compression

Pressure Ratings	
Max Test Pressure	N/A
Max Operating Pressure	10 Bar
Max Differential Pressure	1 Bar
Pressure Drop Value (Kvs)	0.59

Kvs value is the metric measure for the flow of a fully opened valve. It is defined as: The volume flow in cubic metres per hour of water at a temperature of between 5° and 40° Celsius with a pressure drop across the valve of 1 bar.

Flow Ratings	
Normal Flow Rate	0.15m <sup>3</sup> /h
Max Flow Rate	0.47m <sup>3</sup> /h

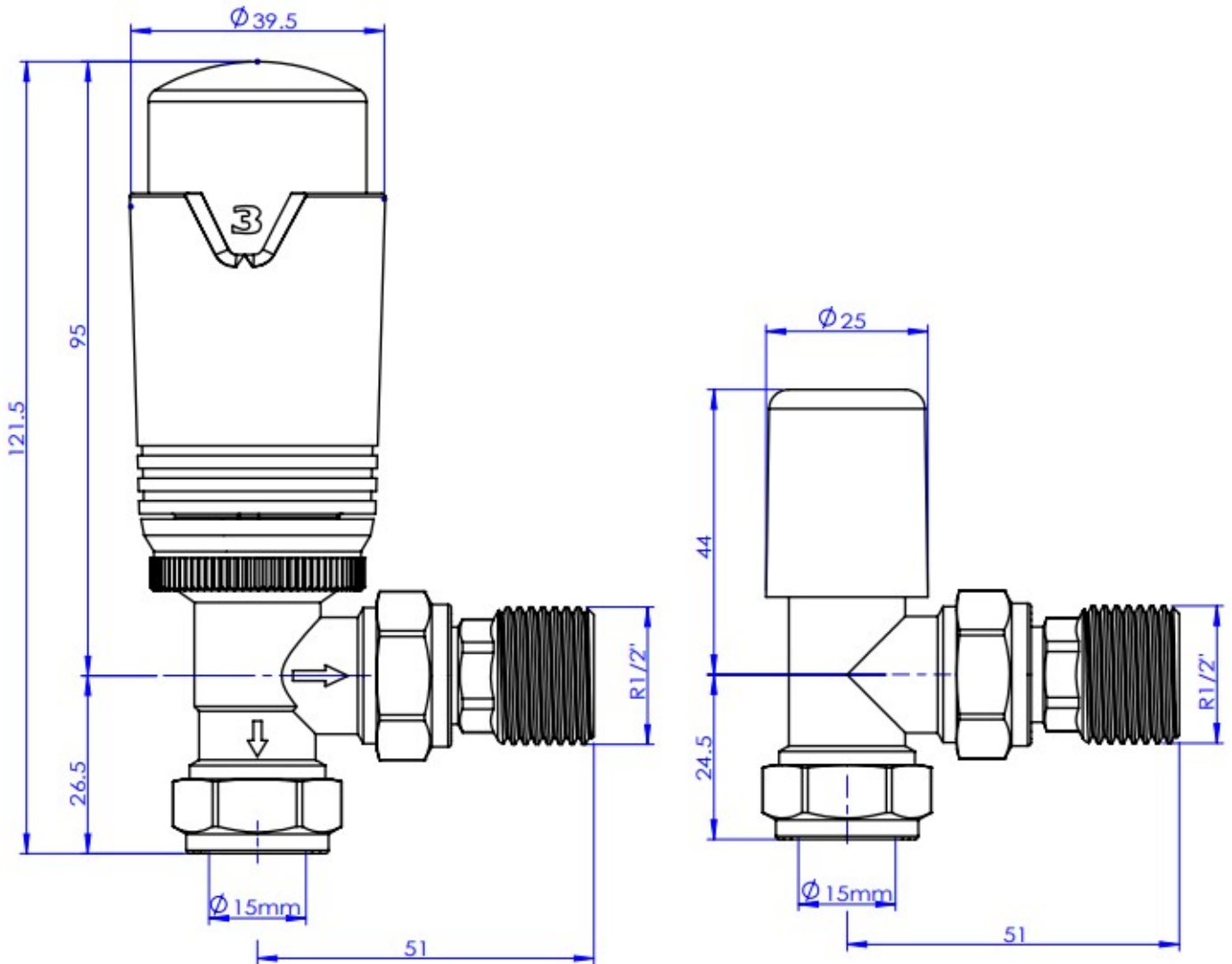
Temperature Ratings	
Max Test Temperature	N/A
Max Operating Temperature	120°C
Temperature Adjustment Range	7°C to 32°C

Disclaimer	
All dimensions are approximate and for roughing in only. We recommend no work be carried out until the goods arrive. We can take no responsibility for errors in information supplied.	

Available Finishes	
Anthracite	Black
Silver	White
Chrome	



# Echo Angled TRV Thermostatic Radiator Valve





# Echo Angled TRV Thermostatic Radiator Valve

