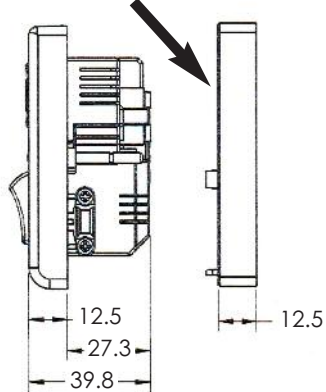


NEW to KingShield is the T206-C Fused Spur Unit with Boost Timer.

Ideal for timed control of Panel Heaters, Immersion Heaters, Heated Towel Rails, Lighting Systems (including LED Lighting) and Water Pumps.

- + Boost countdown from 15 mins to 23 hours + Large backlit LCD display
- + Front cable entry + Slim design
- + Bright LED 'ON' indicator + Easy to program (with password option)

12.5mm frame included
to allow fitting into
25mm back box



Part No: T206-C



Can be used for
- LED Lighting Systems

'Password' protection option
to protect 'Boost' settings
great for:- Landlords and facilities
managers looking to control their
electricity consumption

TECHNICAL INFORMATION

Display:	LCD
Working Voltage:	230V~50Hz
Operating Temp:	-5°C to +40°C
Operation:	Relay Control
Max Load:	
Resistive -	13A
Inductive -	6A at 0.4 power factor inductive loading
Isolation:	Double Pole Isolation Switch
Conforms to:	BS 1363-4:1995+A4:2012, BS EN 60730-1:2011, BS EN 60730-2-7:2010.
Working Environment:	Indoor use only
Pollution Degree:	2



FUSED SPUR WITH BOOST TIMER